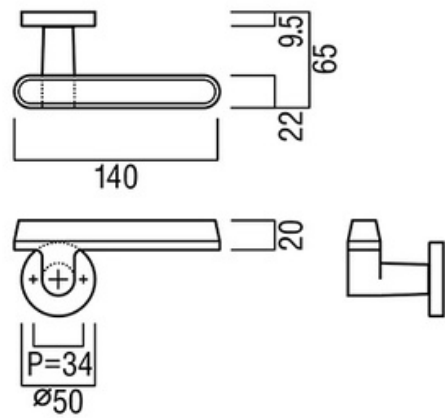


UL1088-001

Product Type : Lever Handle
Material : Cast Aluminum
Finish : Blast, Anodized, Black



Blast, Anodized, Black

