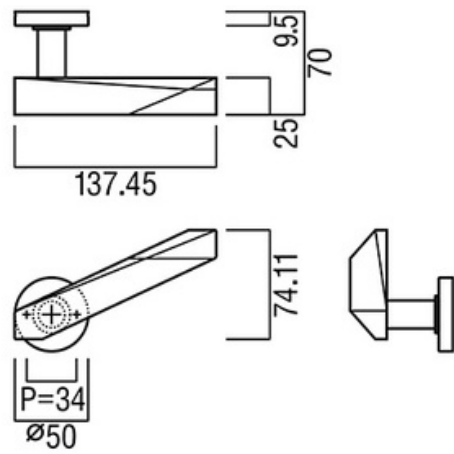
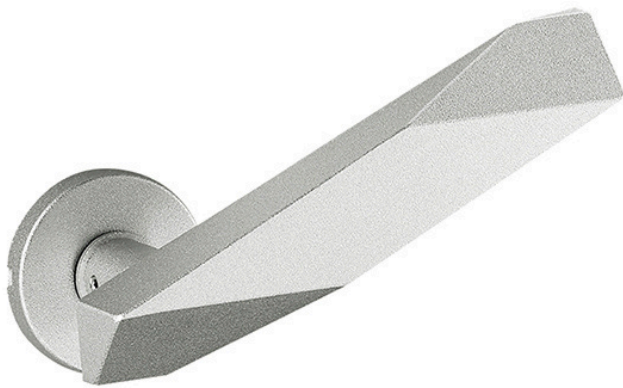


UL1290-001

Product Type : Lever Handle
Material : Cast Aluminum
Finish : Blast, Anodized, Silver Color



Cast Aluminum +
Blast, Anodized

