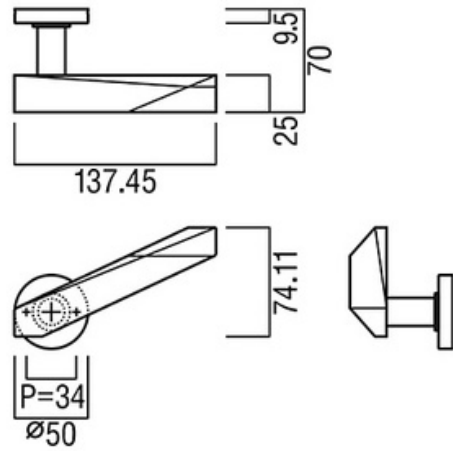
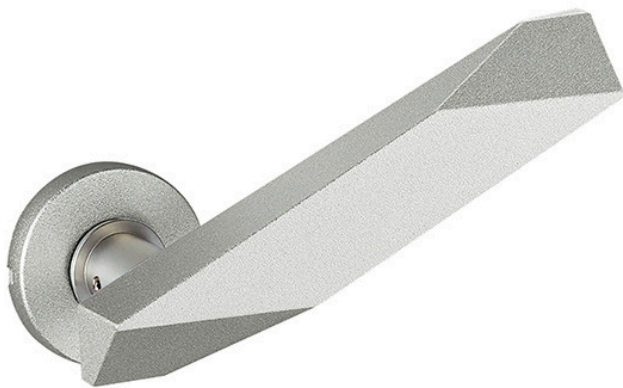


UL2025-001-S

Product Type : Lever Handle
Material : Stainless Steel + Aluminum
Finish : Blast, Anodized, Silver Color



Stainless Steel + Aluminum
Blast, Anodized, Silver Color

